



Flex Outlet Plates



Range of Simply Stylish Wiring Accessories

Designed to provide a competitive, cost effective equivalent range of white moulded accessories with a sleek, slim design creating a modern aesthetic.

Manufactured from Polycarbonate with reinforced interior plates to ensure every product is robust, strong, durable and UV stabilised so that signs of ageing is not a problem.

Flex Outlet Plates

Product Range

Flex Outlet Plates

CPC017	20A 3 Terminal Plate With Optional Flex Outlet
CPC215	45A 3 Terminal Plate With Optional Cable Outlet



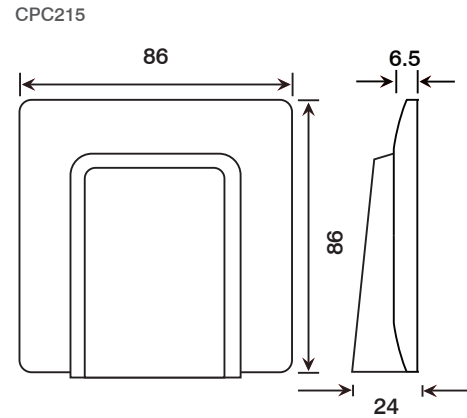
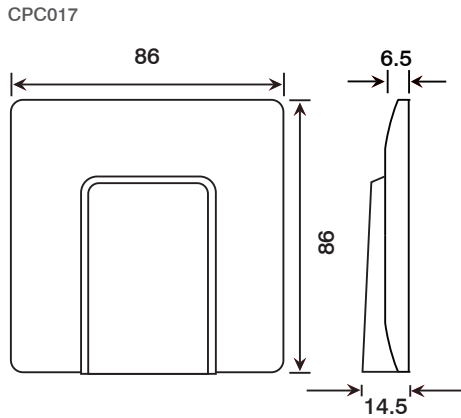
CPC017



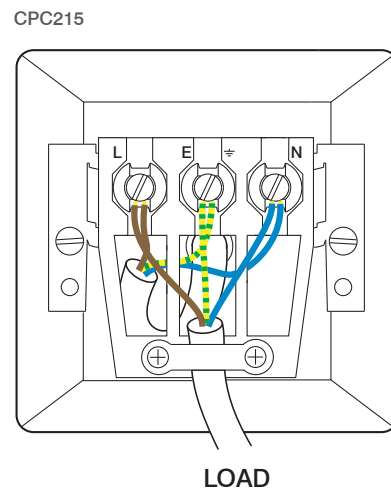
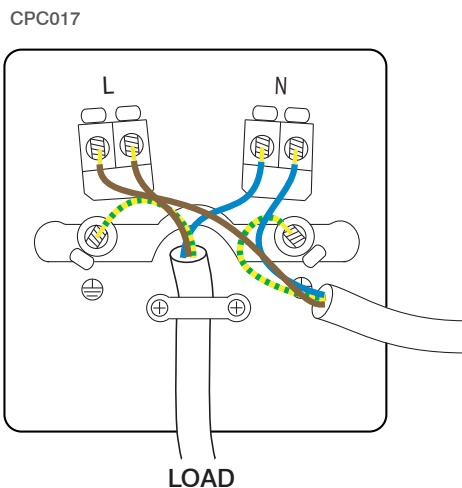
CPC215

Flex Outlet Plates

Product Dimensional Drawings (mm)



Product Wiring Diagram



Flex Outlet Plates

Technical Specification

Flex Outlet Plates

Material Composition	Front Plate: Polycarbonate	
	Insert & Base: Polycarbonate	
	Terminals: Brass	
	Terminal Screws: Steel & Yellow Passivated	
	Earth Strap: Mild Steel	
Voltage	250V~ 50Hz	
Current Rating	20A	45A
Terminal Screw Size	5mm \emptyset	8mm \emptyset
Torque Value	1.8Nm	2.5Nm
Terminal Capacity	6mm ²	10mm ²
Cord Grip Anchorage	14mm ²	10mm ²
Cable Outlet Dimensions	10mm x 10mm	18.5mm x 20mm
Fixing Centres	60.3mm	
Back Box Depth	35mm	
Warranty	10 Years	
Operational Temperature	-5° to +40°C	
Standards	BS 5733: 2010 +A1: 2014	

Additional Information

Ensure that the mains supply is isolated before commencing installation and refer to the circuit diagram with the relevant product.

Bare earth cables must always be covered with appropriate sleeving and wired to the earth terminal.



EU DECLARATION OF CONFORMITY

1. *Issuer Name* Scolmore International Limited
2. *Issuer Address* 1 Scolmore Park, Landsberg,
Lichfield Road Industrial Estate,
Tamworth, Staffordshire, B79 7XB
3. *Object(s) of Declaration* Seera Range
 - a. *Group* Flex Outlet Plates
 - b. *Model No.* CPC017 & CPC215
4. *The object of the declaration described above is in conformity with the requirements of the following Legislations:*
5. *All products contained within the aforementioned comply with the relevant standards and requirements listed below.*

BS 5733: 2010 +A1: 2014

6. *I hereby declare that the equipment named above has been designed to comply with the relevant sections of the above referenced specifications. The unit complies with all applicable Essential Requirements of the Directives.*

In conjunction with the above all manufacture and process controls are in accordance with ISO 9001:2015.

This declaration has been issued under the sole responsibility of the manufacturer, signed at, for and on behalf of: Scolmore International Limited

A handwritten signature in blue ink, appearing to read "Karl Rawlins".

Karl Rawlins – Senior Technical Support Engineer